



HOSHIZAKI

ISBINGE B-140SA

Produktserie: Hoshizaki lagerbinge

Varenummer: G014

Isbingen B-140SA passer perfekt sammen med Hoshizakis ismaskiner for å sikre rikelige mengder is til ethvert tidspunkt.

Skumisolasjon sikrer lav smeltehastighet i isbingen.

Utførelsen i rustfritt stål gir et langvarig attraktivt utseende.

Enkel å rengjøre med runde kanter for optimal hygiene. Leveres med justerbare bein, opptil 90 mm.



Material

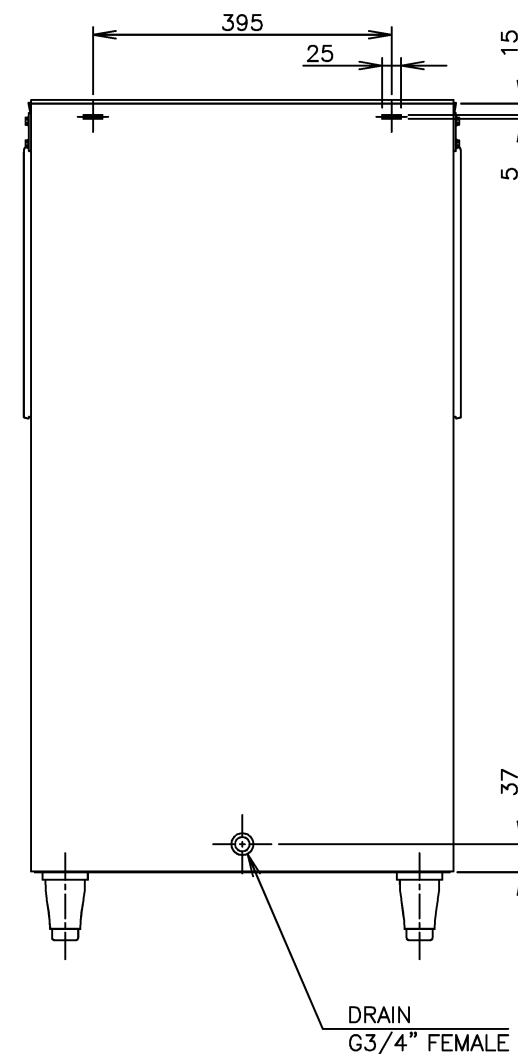
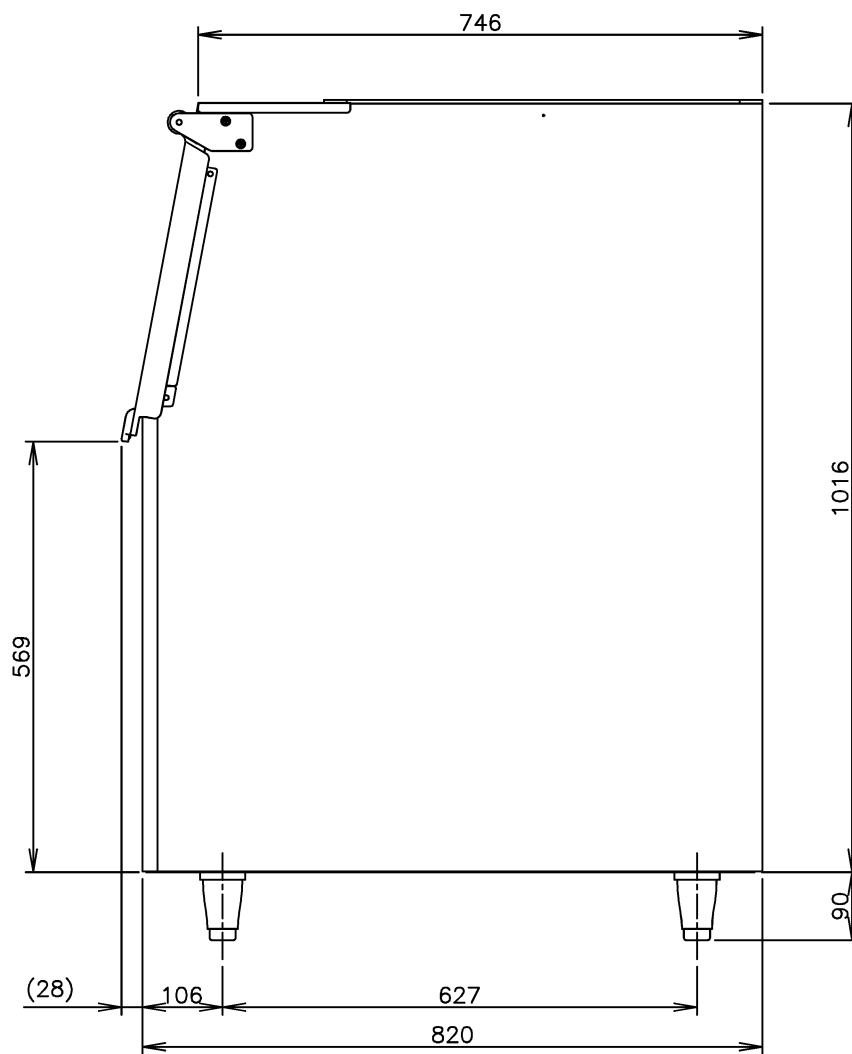
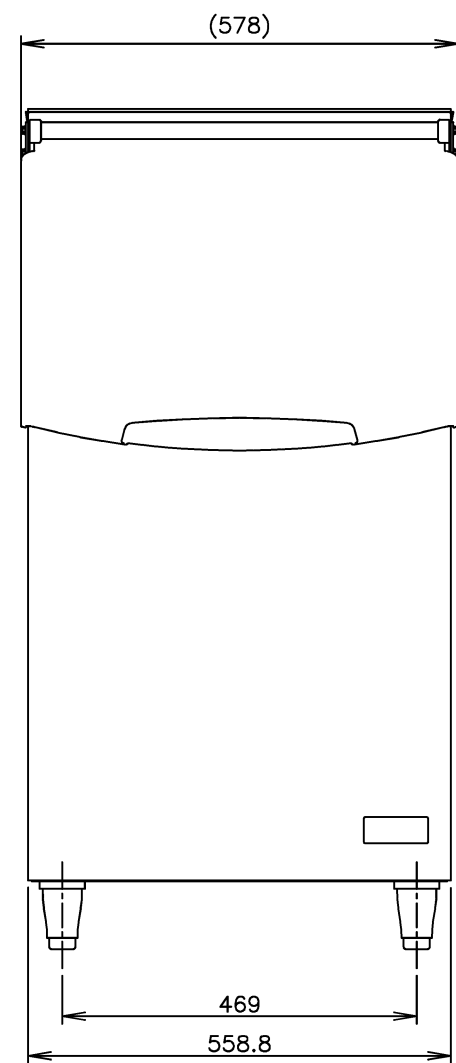
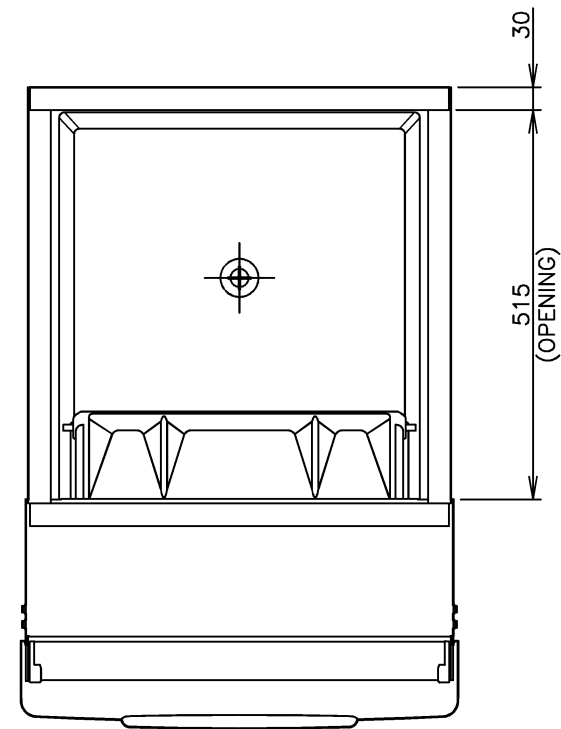
The stainless steel exterior provides a long-lasting attractive appearance, as well as easy-to-clean surfaces for food-safe operations.

Food Safety

The bin is designed to simplify cleaning routines. There are no edges, crevices, or rough joints, where residue could be trapped. The rounded and smooth surfaces help you to wipe the bin quickly and easily.

SPESIFIKASJON

| | | | |
|----------------------|-------------------------------|-------------------|----|
| Produktittel | Isbinge | Vekt, netto (kg) | 37 |
| Mål B x D x H (mm) | 559 x 820 x 1016 (+90-135 mm) | Vekt, brutto (kg) | 53 |
| Kapasitet, netto (l) | 140 | | |



| | |
|-------------------------------|--|
| ITEM | Hoshizaki Ice Storage Bin |
| MODEL | B-140SA |
| STORAGE CAPACITY | Approx. 115kg Maximum 140kg |
| OUTSIDE DIMENSIONS | 558.8mm (W) × 820mm (D) × 1016mm (H) |
| EXTERIOR | Stainless Steel, Galvanized Steel (Rear), Plastic Door |
| INTERIOR | Polyethylene |
| DOOR STYLE | Upward Opening |
| INSULATION | Polyurethane Foam |
| CONNECTION-DRAIN | Outlet 3/4" (connected at rear side) |
| WEIGHT | 37kg (Gross 53kg) |
| INSULATION FOAM BLOWING AGENT | Water Blown |
| △ PACKAGE | Carton 667mm (W) x 928mm (D) x 1201mm (H) |
| ACCESSORIES | Scoop, Scoop holder, Leg (4 pcs) |

*We reserve the right to make changes in specifications and design without prior notice.

1. Install the ice maker properly in accordance with the instructions on location, water supply/drain connections and electrical connections stated in the instruction and installation manuals provided. Allow 10mm extra space at the installation site to meet any installation requirements (additional spacing is also required for proper air flow and water connections).
2. Product Code: G014

HOSHIZAKI ICE STORAGE BIN B-140SA

| | | | | | |
|--------------------|---------------------|----------------------|-----------------|--------------------|-----------------------|
| APPROVED NISHIO | CHECKED MIZUTANI | DESIGNED MIZUTANI | DRAWN OHASHI | SCALE 1/10 | TRIGONOMETRY |
| NISHIO | TASHIRO | △ | 2019.05.21 | DATE 2019.02.08 | DRAWING NO. D24480 |
| APPROVED | DESIGNED | SYMBOL | DATE | | SYMBOL △ |