



HOSHIZAKI

ISBINGE B-340SA

Produktserie: Hoshizaki lagerbinge

Varenummer: G016

Isbingen B-340SA passer perfekt sammen med Hoshizakis ismaskiner for å sikre rikelige mengder is til ethvert tidspunkt.

Skumisolasjon sikrer lav smeltehastighet i isbingen.

Utførelsen i rustfritt stål gir et langvarig attraktivt utseende.

Enkel å rengjøre med runde kanter for optimal hygiene. Leveres med justerbare bein, opptil 90 mm.

Material

The stainless steel exterior provides a long-lasting attractive appearance, as well as easy-to-clean surfaces for food-safe operations.

Food Safety

The bin is designed to simplify cleaning routines. There are no edges, crevices, or rough joints, where residue could be trapped. The rounded and smooth surfaces help you to wipe the bin quickly and easily.



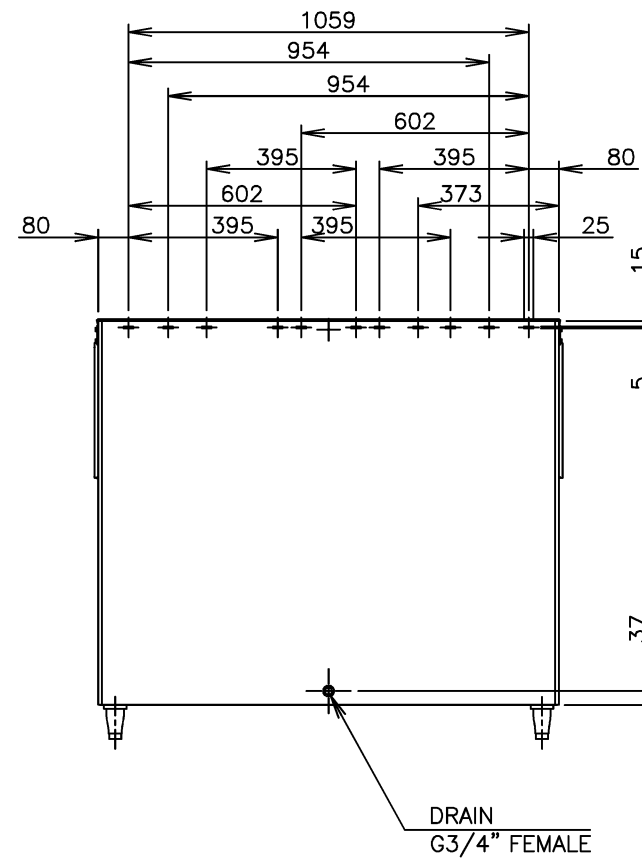
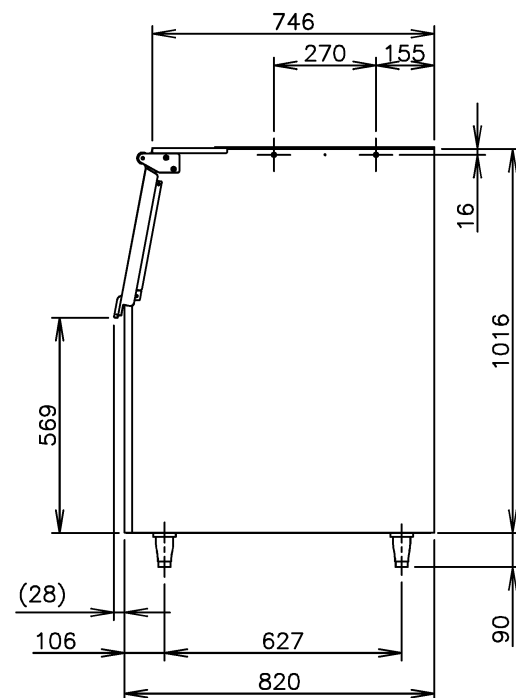
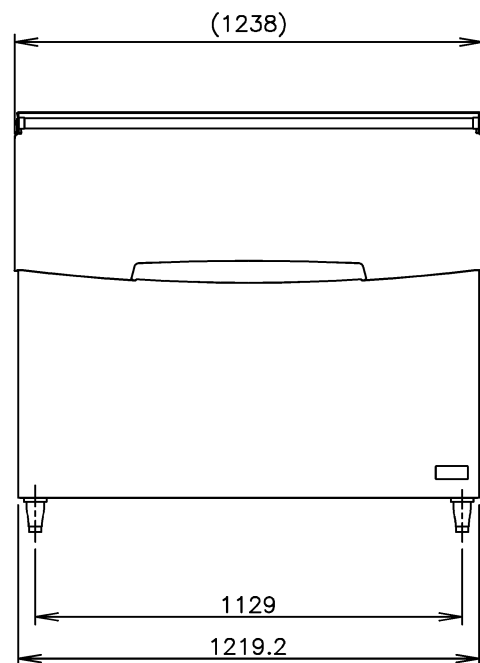
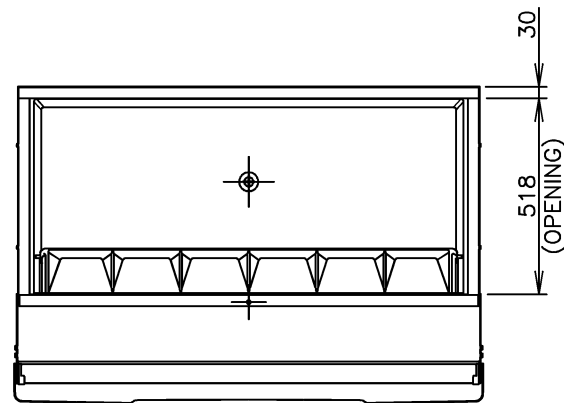
SPESIFIKASJON

Produktittel	Isbinge	Vekt, netto (kg)	72
Mål B x D x H (mm)	1219 x 820 x 1016 (legs add 90 - 135 mm)	Vekt, brutto (kg)	88
Kapasitet, netto (l)	340		

ITEM	Hoshizaki Ice Storage Bin
MODEL	B-340SA
STORAGE CAPACITY	Approx. 275kg Maximum 340kg
OUTSIDE DIMENSIONS	1219.2mm (W) x 820mm (D) x 1016mm (H)
EXTERIOR	Stainless Steel, Galvanized Steel (Rear), Plastic Door
INTERIOR	Polyethylene
DOOR STYLE	Upward Opening
INSULATION	Polyurethane Foam
CONNECTION-DRAIN	Outlet 3/4" (connected at rear side)
WEIGHT	72kg (Gross 88kg)
INSULATION FOAM BLOWING AGENT	Water Blown
PACKAGE	Carton 1328mm (W) x 928mm (D) x 1194mm (H)
ACCESSORIES	Scoop, Scoop Holder, Leg (4 pcs)

*We reserve the right to make changes in specifications and design without prior notice.

1. Install the ice maker properly in accordance with the instructions on location, water supply/drain connections and electrical connections stated in the instruction and installation manuals provided. Allow 10mm extra space at the installation site to meet any installation requirements (additional spacing is also required for proper air flow and water connections).
2. Product Code: G016



HOSHIZAKI ICE STORAGE BIN B-340SA

APPROVED NISHIO	CHECKED MIZUTANI	DESIGNED TASHIRO	DRAWN UEDA	SCALE 1/20	TRIGONOMETRY
*	*	△	*****	DATE 2019.06.25	DRAWING NO. D25406
APPROVED	DESIGNED	SYMBOL	DATE		SYMBOL △